

WS-41108S

P.V.P: 109€

M5 - 8 PIEZAS - LLAVES COMBINADAS
CARRACA 72 D (8x8 - 9x9 - 10x10 - 11x11 - 12x12 -
13x13 - 17x17 - 19x19)

M



WS-41508S

P.V.P: 151€

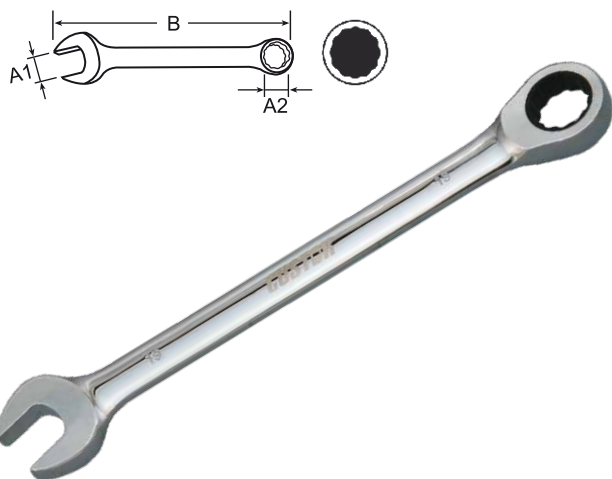
M40 - 8 PIEZAS - LLAVES COMBINADAS
CARRACA ARTICULADAS 72 D (8x8 - 9x9 - 10x10 -
11x11 - 13x13 - 14x14 - 17x17 - 19x19)

M



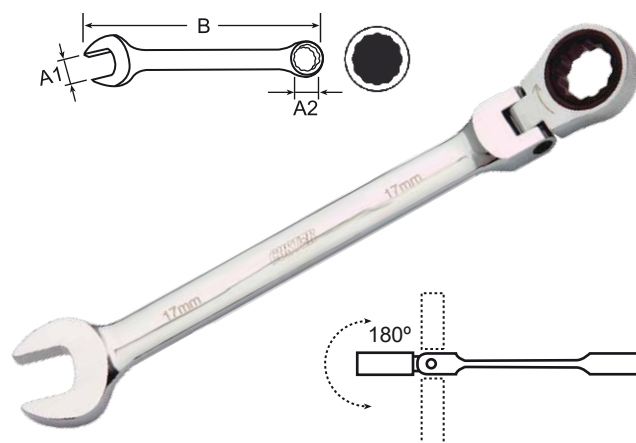
LLAVES COMBINADAS CARRACA 72 D.

| Referencia | A1 X A2 (m/m) | B (m/m) | P.V.P. |
|------------|---------------|---------|---------|
| 4110808 | 8 x 8 | 136 | 12,50 € |
| 4110909 | 9 x 9 | 143 | 12,50 € |
| 4111010 | 10 x 10 | 160 | 13,00 € |
| 4111111 | 11 x 11 | 168 | 13,50 € |
| 4111212 | 12 x 12 | 174 | 14,00 € |
| 4111313 | 13 x 13 | 180 | 15,00 € |
| 4111414 | 14 x 14 | 193 | 16,00 € |
| 4111515 | 15 x 15 | 200 | 16,50 € |
| 4111717 | 17 x 17 | 233 | 18,50 € |
| 4111919 | 19 x 19 | 250 | 20,00 € |



LLAVES CARRACA COMBINADAS ARTICULADAS 72 D.

| Referencia | A1 X A2 (m/m) | B (m/m) | P.V.P. |
|------------|---------------|---------|---------|
| 4150808 | 8 x 8 | 136 | 17,50 € |
| 4150909 | 9 x 9 | 143 | 17,50 € |
| 4151010 | 10 x 10 | 160 | 18,50 € |
| 4151111 | 11 x 11 | 168 | 18,50 € |
| 4151212 | 12 x 12 | 174 | 20,50 € |
| 4151313 | 13 x 13 | 180 | 20,50 € |
| 4151414 | 14 x 14 | 193 | 21,10 € |
| 4151515 | 15 x 15 | 200 | 25,00 € |
| 4151616 | 16 x 16 | 216 | 25,00 € |
| 4151717 | 17 x 17 | 233 | 25,00 € |
| 4151818 | 18 x 18 | 239 | 26,50 € |
| 4151919 | 19 x 19 | 250 | 26,50 € |



CS-10603S

M23 - ALICATE TERMINALES

P.V.P: 109€

L

| Numero de pieza | | Capacidad | Cantidad |
|-----------------|----|--------------------------------------|----------|
| | T1 | 22~16 AWG. / 0.3~1.25mm ² | 100 |
| | T2 | 16~14 AWG. / 1.25~2.0mm ² | 100 |
| | T3 | 12~10 AWG. / 2.05~5.5mm ² | 100 |
| | T4 | 22~18 AWG. / 0.3~0.8mm ² | 100 |
| | T5 | 22~16 AWG. / 0.3~1.25mm ² | 100 |
| | T6 | 16~14 AWG. / 1.25~2.0mm ² | 100 |

